



**Door coupling handle, EN60204**

**Part no.** PKZ0-XH  
**Catalog No.** 106132  
**Alternate Catalog No.** XTPAXRHMB  
**EL-Nummer (Norway)** 0004355087

**Delivery program**

|                      |  |  |
|----------------------|--|--|
| Product range        |  | Accessories                            |
| Accessories          |  | Door coupling handle                   |
|                      |  | For use as main switch to IEC/EN 60204 |
|                      |  | Black                                  |
| For use with         |  | PKZM0<br>PKZM4                         |
| For use with         |  | Door coupling handle PKZ0(4)           |
| Degree of Protection |  | IP65                                   |

**Notes** Plug-in extension shaft PKZ0-XAH can be cut to desired length for mounting depths of 100-240 mm.  
 Carrier with extension shaft included as standard.  
 With ON/OFF switch position and "+" (tripped), lockable.  
 With 3 padlocks, 4 - 8 mm hasp thickness.  
 Cannot be used in combination with VHI20-PKZ0.  
 ZFS... (except for ZFS-(L)TS-NZM) add-on front plates can be used.

**Design verification as per IEC/EN 61439**

| Technical data for design verification   |            |    |  |
|--|------------|----|--|
| Rated operational current for specified heat dissipation   | $I_n$      | A  | 0  |
| Heat dissipation per pole, current-dependent   | $P_{vid}$  | W  | 0  |
| Equipment heat dissipation, current-dependent  | $P_{vid}$  | W  | 0  |
| Static heat dissipation, non-current-dependent   | $P_{vs}$   | W  | 0  |
| Heat dissipation capacity  | $P_{diss}$ | W  | 0  |
| Operating ambient temperature min.   |            | °C | -25  |
| Operating ambient temperature max.   |            | °C | 55   |
| IEC/EN 61439 design verification   |            |    |  |
| 10.2 Strength of materials and parts   |            |    |  |
| 10.2.2 Corrosion resistance  |            |    | Meets the product standard's requirements.   |
| 10.2.3.1 Verification of thermal stability of enclosures   |            |    | Meets the product standard's requirements.   |
| 10.2.3.2 Verification of resistance of insulating materials to normal heat   |            |    | Meets the product standard's requirements.   |
| 10.2.3.3 Verification of resistance of insulating materials to abnormal heat and fire due to internal electric effects |            |    | Meets the product standard's requirements.   |
| 10.2.4 Resistance to ultra-violet (UV) radiation   |            |    | Please enquire   |
| 10.2.5 Lifting   |            |    | Does not apply, since the entire switchgear needs to be evaluated.                             |
| 10.2.6 Mechanical impact   |            |    | Does not apply, since the entire switchgear needs to be evaluated.                             |
| 10.2.7 Inscriptions  |            |    | Meets the product standard's requirements.   |
| 10.3 Degree of protection of ASSEMBLIES  |            |    | Does not apply, since the entire switchgear needs to be evaluated.                             |
| 10.4 Clearances and creepage distances   |            |    | Meets the product standard's requirements.   |
| 10.5 Protection against electric shock   |            |    | Does not apply, since the entire switchgear needs to be evaluated.                             |
| 10.6 Incorporation of switching devices and components   |            |    | Does not apply, since the entire switchgear needs to be evaluated.                             |
| 10.7 Internal electrical circuits and connections  |            |    | Is the panel builder's responsibility.   |
| 10.8 Connections for external conductors   |            |    | Is the panel builder's responsibility.   |
| 10.9 Insulation properties   |            |    |  |
| 10.9.2 Power-frequency electric strength   |            |    | Is the panel builder's responsibility.   |
| 10.9.3 Impulse withstand voltage   |            |    | Is the panel builder's responsibility.   |
| 10.9.4 Testing of enclosures made of insulating material   |            |    | Is the panel builder's responsibility.   |
| 10.10 Temperature rise   |            |    | Not applicable.  |
| 10.11 Short-circuit rating   |            |    | Is the panel builder's responsibility. The specifications for the switchgear must be observed. |

|                                     |  |  |
|-------------------------------------|--|--|
| 10.12 Electromagnetic compatibility |  | Is the panel builder's responsibility. The specifications for the switchgear must be observed.           |
| 10.13 Mechanical function           |  | The device meets the requirements, provided the information in the instruction leaflet (IL) is observed. |

## Technical data ETIM 7.0

Low-voltage industrial components (EG000017) / Handle for power circuit breaker (EC000229)

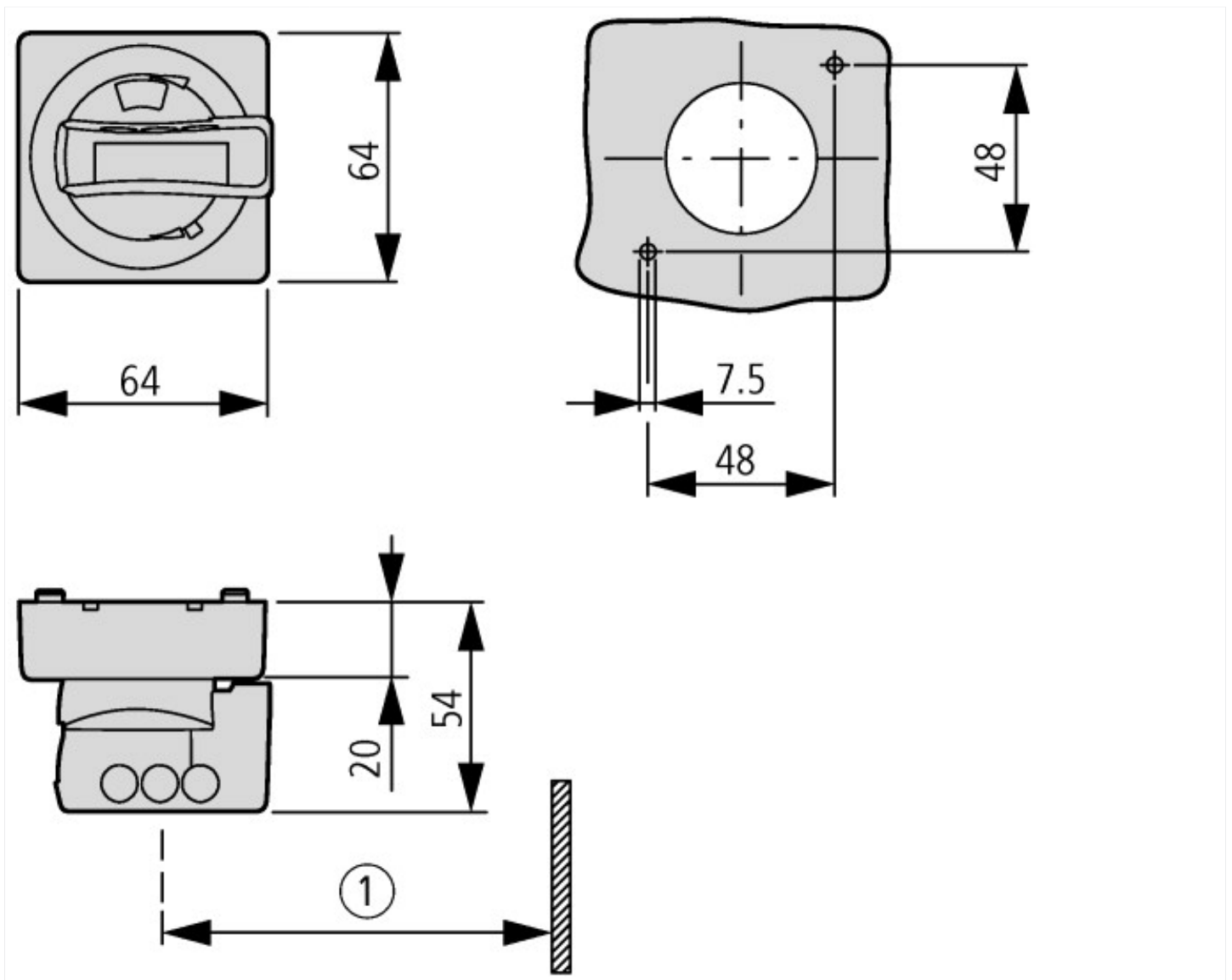
Electric engineering, automation, process control engineering / Low-voltage switch technology / Circuit breaker (LV < 1 kV) / Handle for switch devices (ecl@ss10.0.1-27-37-04-14 [AKF012014])

|                                    |  |       |
|------------------------------------|--|-------|
| Lockable                           |  | Yes   |
| Colour                             |  | Black |
| Suitable for emergency stop        |  | No    |
| With extension shaft               |  | Yes   |
| Suitable for power circuit breaker |  | No    |
| Suitable for switch disconnecter   |  | No    |

## Approvals

|                                      |  |  |
|--------------------------------------|--|--|
| Product Standards                    |  | UL 508; CSA-C22.2 No. 14; IEC60947-4-1; CE marking |
| UL File No.                          |  | E36332   |
| UL Category Control No.              |  | NLRV   |
| CSA File No.                         |  | 165628   |
| CSA Class No.                        |  | 3211-05  |
| North America Certification          |  | UL listed, CSA certified                           |
| Specially designed for North America |  | No   |
| Degree of Protection                 |  | IEC: IP65, UL/CSA Type: 4X, 12                     |

## Dimensions



Mounting depth: 125 to 240 mm from the top edge of the top-hat rail to the front edge of the cabinet door/cover

① At least 100 mm from cover hinge

## Additional product information (links)

### IL03402018Z (AWA1210-2348) door coupling rotary handle

IL03402018Z (AWA1210-2348) door coupling rotary handle

[ftp://ftp.moeller.net/DOCUMENTATION/AWA\\_INSTRUCTIONS/IL03402018Z2013\\_11.pdf](ftp://ftp.moeller.net/DOCUMENTATION/AWA_INSTRUCTIONS/IL03402018Z2013_11.pdf)

Motor starters and "Special Purpose Ratings" for the North American market

[http://www.eaton.eu/ecm/groups/public/@pub/@europe/@electrical/documents/content/pct\\_3258146.pdf](http://www.eaton.eu/ecm/groups/public/@pub/@europe/@electrical/documents/content/pct_3258146.pdf)

Busbar Component Adapters for modern Industrial control panels

[http://www.moeller.net/binary/ver\\_techpapers/ver960en.pdf](http://www.moeller.net/binary/ver_techpapers/ver960en.pdf)